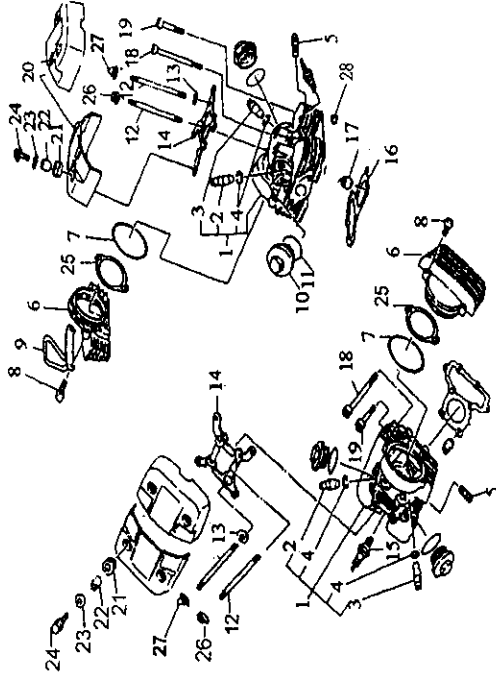


Parts Catalog for LF250

FIG 1

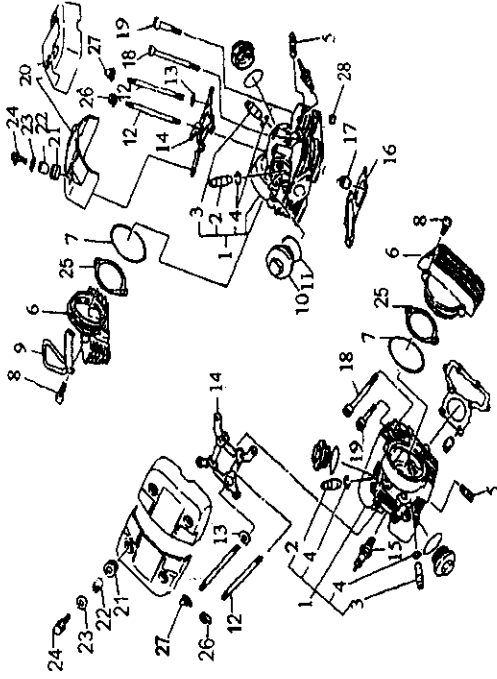
Cylinder Head
Cylinder Head Cover



NO.	CODE NAME	PART NUMBER	PRICE	DESCRIPTION	QUANTITY	NOTE
1		901.001	59.96	Cylinder Head	2	
2		901.002	12.29	Inlet Valve Guide	2	
3		901.003	12.29	Exhaust Valve Guide	2	
4		901.004	2.55	O-Ring, Guide	4	
5		901.005	3.78	Stud M6X42	4	
6		901.006	20.66	Side Cover, Cylinder Head	2	
7		901.007	2.88	O-Ring 79X2.9	2	
8		901.008	0.95	Bolt M6X25	4	
9		901.009	5.98	Protecting Bracket	1	
10		901.010	6.25	Valve Cover	4	
11		901.011	2.60	O-Ring 44.5X3.1	4	
12		901.012	6.99	Bolt M8X210	8	
13		901.013	0.99	Copper Washer 19X8.5X2	2	
14		901.014	9.99	Stay, Head Hood	2	
15		901.015	3.50	Spark Plug	2	
16		901.016	3.65	Cylinder Head Gasket	2	
17		901.017	1.05	Pin 10X14	4	
18		901.018	3.05	Bolt M6X110	4	
19		901.019	1.55	Bolt M6X40	4	
20		901.020	18.80	Cylinder Head Hood	4	
21		901.021	1.10	Damping Cushion	8	

FIG 1

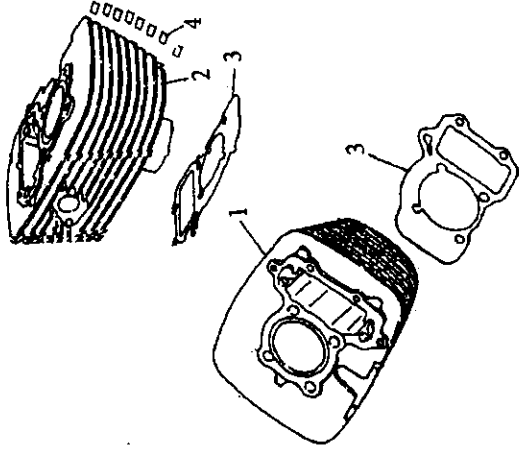
Cylinder Head
Cylinder Head Cover



NO.	CODE NAME	PART NUMBER	PRICE	DESCRIPTION	QUANTITY	NOTE
22		901.022	1.26	Sleeve 9.5X6.5X6	8	
23		901.023	1.05	Washer 22X6.5X1.6	8	
24		901.024	1.82	Bolt M6X20	8	
25		901.025	2.05	Cylinder Head Side Cover Washer	2	
26		901.026	0.75	Flange Nut	2	
27		901.027	0.99	Cap Nut	6	
28		901.028	0.99	Damping Block	20	

FIG 2

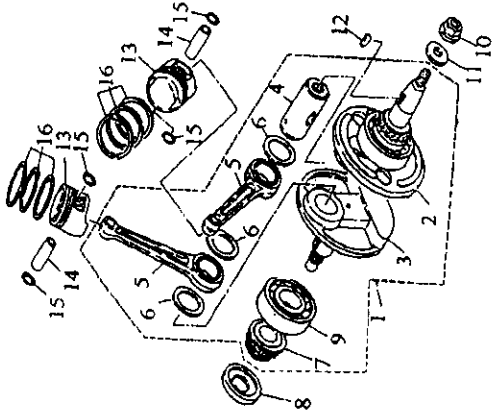
Cylinder



NO.	CODE NAME	PART NUMBER	PRICE	DESCRIPTION	QUANTITY	NOTE
1		902.001	53.66	Cylinder (No.1)	1	
2		902.002	53.66	Cylinder (No.2)	1	
3		902.003	3.65	Gasket	2	
4		902.004	0.99	Damping Block	32	

FIG 3

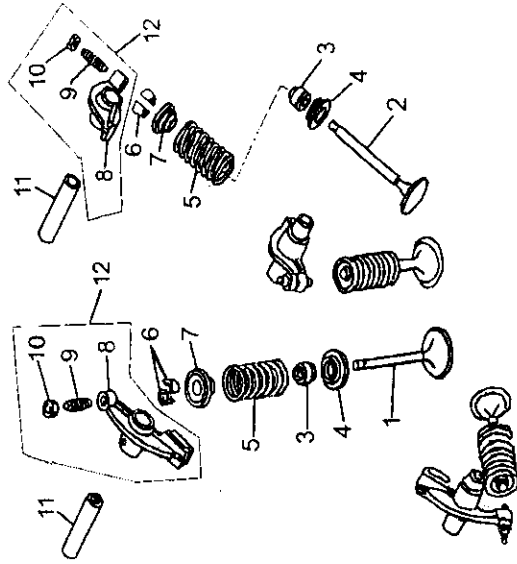
Crankshaft, Piston
Connect-Rod



NO.	CODE NAME	PART NUMBER	PRICE	DESCRIPTION	QUANTITY	NOTE
1		903.001	96.88	Crankshaft Assy.	1	
2		903.002	incl. in 903.001	Left Crankshaft	1	
3		903.003	incl. in 903.001	Right Crankshaft	1	
4		903.004	incl. in 903.001	Pin	1	
5		903.005	incl. in 903.001	Connecting Rod	1	
6		903.006	incl. in 903.001	Washer	3	
7		903.007	13.77	Timing Drive Sprocket	1	
8		903.008	3.26	Sleeve	1	
9		903.009	6.19	Bearing 6306	1	
10		903.010	0.85	Nut	1	
11		903.011	0.65	Thrust Washer	1	
12		903.012	1.20	Key	1	
13		903.013	29.89	Piston	2	
14		903.014	9.62	Piston Pin	2	
15		903.015	1.85	Circlip	4	
16		903.016	19.92	Piston Ring Set	2	

FIG 4

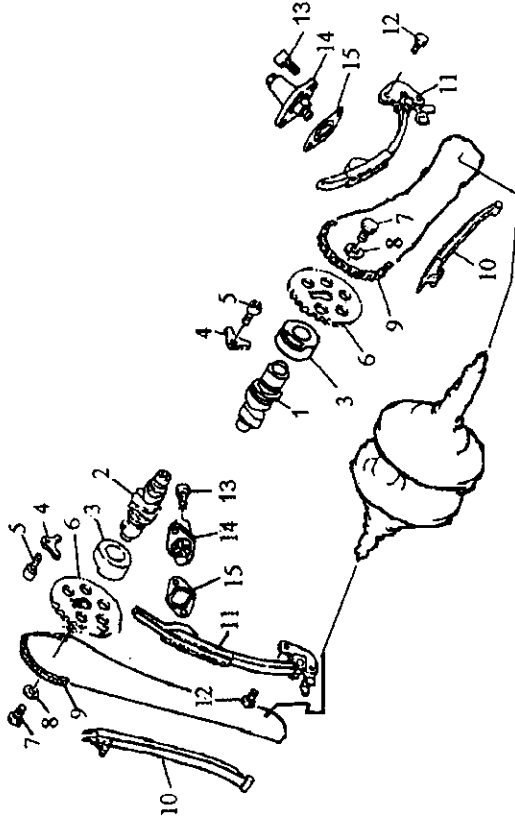
Valves & Rocker Arm



NO.	CODE NAME	PART NUMBER	PRICE	DESCRIPTION	QUANTITY	NOTE
1		904.001	14.27	Inlet Valve	2	
2		904.002	14.27	Exhaust Valve	2	
3		904.003	8.17	Oil-Separating Guard	4	
4		904.004	5.70	Lower Spring Seat	4	
5		904.005	6.92	Valve Spring	4	
6		904.006	5.89	Clamp	8	
7		904.007	6.02	Upper Spring Seat	4	
8		904.008	20.48	Rocker Arm	4	
9		904.009	2.66	Adjusting Screw For Valve	4	
10		904.010	1.86	Adjusting Nut For Valve	4	
11		904.011	3.73	Rocker Arm Shaft	4	
12		904.012	N/A	Rocker Arm Assy.	4	

FIG 5

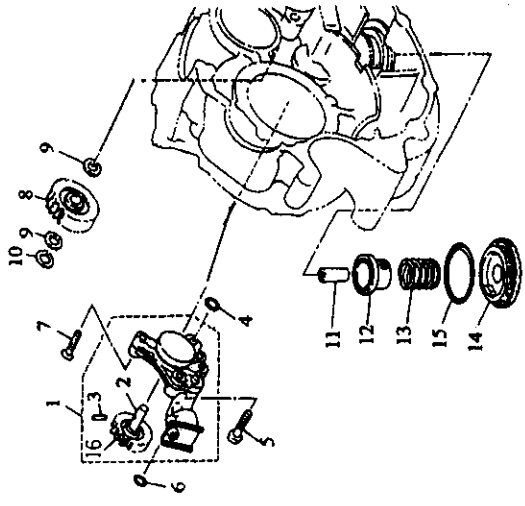
Cam & Tensioner



NO.	CODE NAME	PART NUMBER	PRICE	DESCRIPTION	QUANTITY	NOTE
1		905.001	19.99	Camshaft (No.1)	1	
2		905.002	19.99	Camshaft (No.2)	1	
3		905.003	4.92	Bearing Sleeve	2	
4		905.004	6.74	Press Plate	2	
5		905.005	1.05	Screw M6X12	2	
6		905.006	14.26	Timing Driven Sprocket	2	
7		905.007	1.05	Bolt M8X16	2	
8		905.008	0.65	Washer 25X8.2X2	2	
9		905.009	11.97	Timing Chain	2	
10		905.010	9.06	Guide	2	
11		905.011	10.20	Tension Plate	2	
12		905.012	1.05	Screw M6X12	4	
13		905.013	1.05	Bolt M6X16	4	
14		905.014	16.78	Tensioner	2	
15		905.015	2.03	Gasket, Tensioner	2	

FIG 6

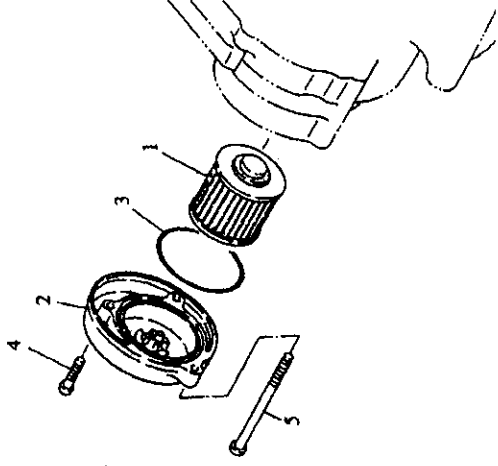
Oil Pump



NO	CODE NAME	PART NUMBER	PRICE	DESCRIPTION	QUANTITY	NOTE
1		906.001	24.50	Oil Pump Assy.	1	
2		906.002	incl. in 906.001	Shaft	1	
3		906.003	incl. in 906.001	Pin	1	
4		906.004	1.96	O-Ring 9.7X2.4	1	
5		906.005	1.05	Screw M6X25	2	
6		906.006	1.48	Seal 6.2X3	1	
7		906.007	1.05	Screw M6X25	1	
8		906.008	10.77	Drive Gear	1	
9		906.009	0.65	Washer 10	2	
10		906.010	0.99	Circlip 9	1	
11		906.011	1.88	Oil Pipe	1	
12		906.012	3.86	Oil Filter Screen	1	
13		906.013	2.92	Spring	1	
14		906.014	6.79	Cover	1	
15		906.015	1.45	O-Ring	1	
16		906.016	incl. in 906.001	Driven Gear	1	

FIG 7

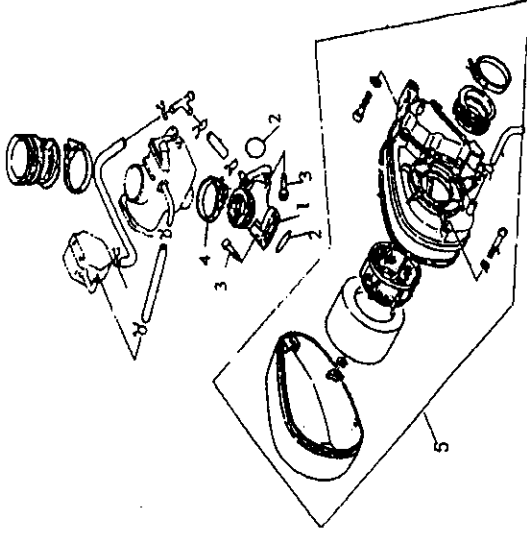
Oil Filter
Cover



NO.	CODE NAME	PART NUMBER	PRICE	DESCRIPTION	QUANTITY	NOTE
1		907.001	12.98	Oil Filter	1	
2		907.002	19.76	Cover, Oil Filter	1	
3		907.003	2.66	O-Ring 64X3.6	1	
4		907.004	1.05	Bolt M6X25	2	
5		907.005	2.60	Bolt M6X90	1	

FIG 8

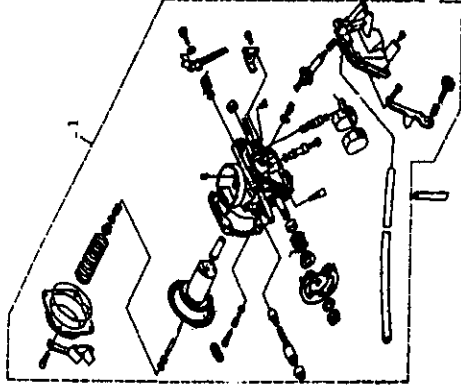
Inlet Pipe



NO.	CODE NAME	PART NUMBER	PRICE	DESCRIPTION	QUANTITY	NOTE
1		908.001	12.46	Inlet Pipe	1	
2		908.002	2.07	O-Ring	2	
3		908.003	1.05	Bolt M6X20	4	
4		908.004	6.20	Clamp	1	
5		908.005	29.98	Air Cleaner	1	

FIG 9

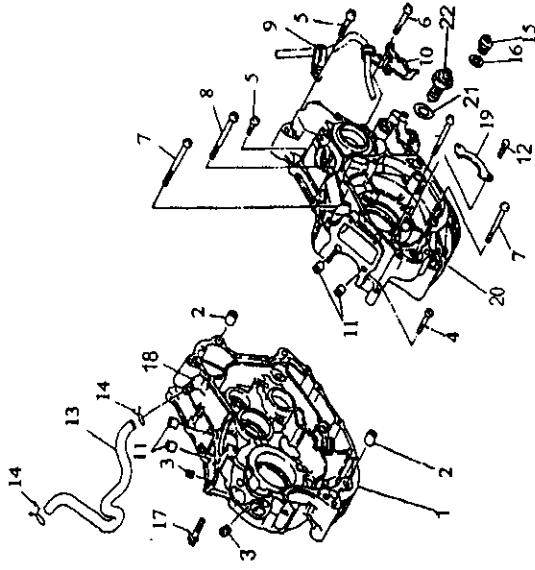
Carburetor



NO.	CODE NAME	PART NUMBER	PRICE	DESCRIPTION	QUANTITY	NOTE
1		909.001	178.80	Carburetor	1	

FIG 10

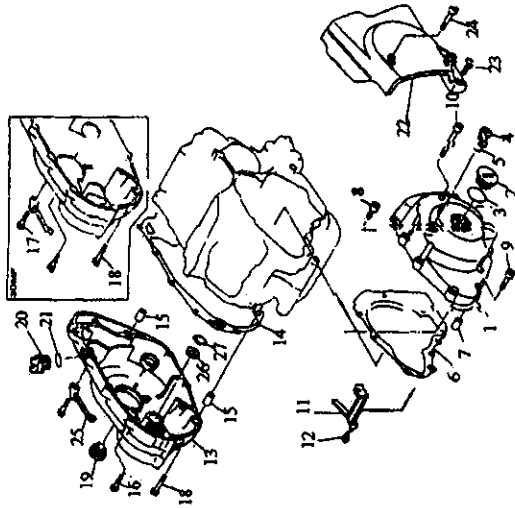
Crankcase



NO.	CODE NAME	PART NUMBER	PRICE	DESCRIPTION	QUANTITY	NOTE
1		910.001	189.60	Right Crankcase Comp.	1	
2		910.002	2.36	Dowel Pin 12X16	2	
3		910.003	6.75	Oil Nozzle	2	
4		910.004	1.25	Bolt M6X40	1	
5		910.005	1.25	Bolt M6X30	5	
6		910.006	1.80	Bolt M6X60	2	
7		910.007	1.80	Bolt M6X80	4	
8		910.008	1.80	Bolt M6X70	2	
9		910.009	2.62	Wire Clamp A	1	
10		910.010	2.93	Wire Clamp B	1	
11		910.011	2.32	Dowel Pin 10X14	4	
12		910.012	1.05	Bolt M6X12	1	
13		910.013	1.99	Exhaust Pipe	1	
14		910.014	1.05	Pipe Clamp (No.1)	2	
15		910.015	2.65	Drain Bolt	1	
16		910.016	0.90	Washer	1	
17		910.017	1.05	Bolt M6X20	1	
18		910.018	5.26	Air Outlet Vent	1	
19		910.019	5.93	Stay Plate	1	
20		910.020	197.82	Left Crankcase	1	
21		910.021	0.95	Gasket, Neutral Indicator	1	
22		910.022	18.73	Neutral Indicator	1	

FIG 11

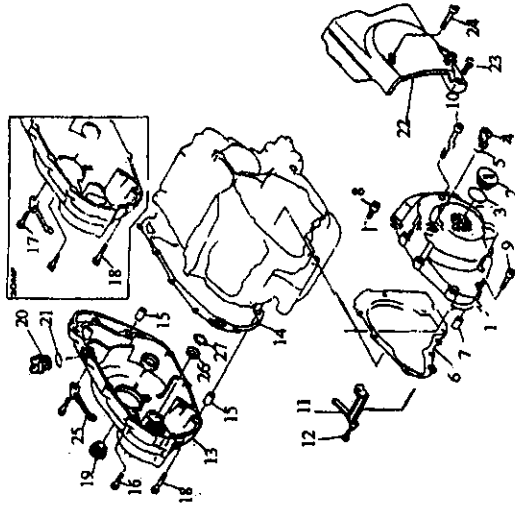
Left Crankcase Cover
Right Crankcase Cover



NO.	CODE NAME	PART NUMBER	PRICE	DESCRIPTION	QUANTITY	NOTE
1		911.001	49.88	Front Cover, Left Crankcase	1	
2		911.002	6.92	Plug	1	
3		911.003	2.07	O-Ring 22.7X3.1	1	
4		911.004	8.99	Viewing Hole Plug	1	
5		911.005	1.99	O-Ring 13.6X2.1	1	
6		911.006	4.98	Gasket	1	
7		911.007	2.36	Dowel Pin 12X16	2	
8		911.008	1.05	Bolt M6X25	5	
9		911.009	1.05	Bolt M6X35	2	
10		911.010	1.80	Bolt M6X70	1	
11		911.011	2.62	Wire Clamp	1	
12		911.012	1.05	Screw M6X12	1	
13		911.013	57.60	Cover, Right Crankcase	1	
14		911.014	5.24	Gasket	1	
15		911.015	2.36	Dowel Pin 12X16	2	
16		911.016	1.05	Bolt M6X25	7	
17		911.017	1.05	Bolt M6X35	2	
18		911.018	1.05	Bolt M6X35	2	
19		911.019	7.96	Oil View Port	1	
20		911.020	6.09	Dipstick	1	
21		911.021	1.98	O-Ring	1	

FIG 11

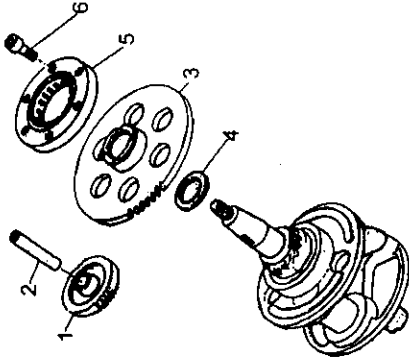
Left Crankcase Cover
Right Crankcase Cover



NO.	CODE NAME	PART NUMBER	PRICE	DESCRIPTION	QUANTITY	NOTE
22		911.022	41.27	Left-Rear Cover	1	
23		911.023	1.05	Bolt M6X25	2	
24		911.024	1.80	Bolt M6X50	1	
25		911.025	10.85	Adjusting Support of Clutch Cable	1	
26		911.026	3.66	Oil Seal 14X25X5.5	1	
27		911.027	1.82	Circlip	1	

FIG 12

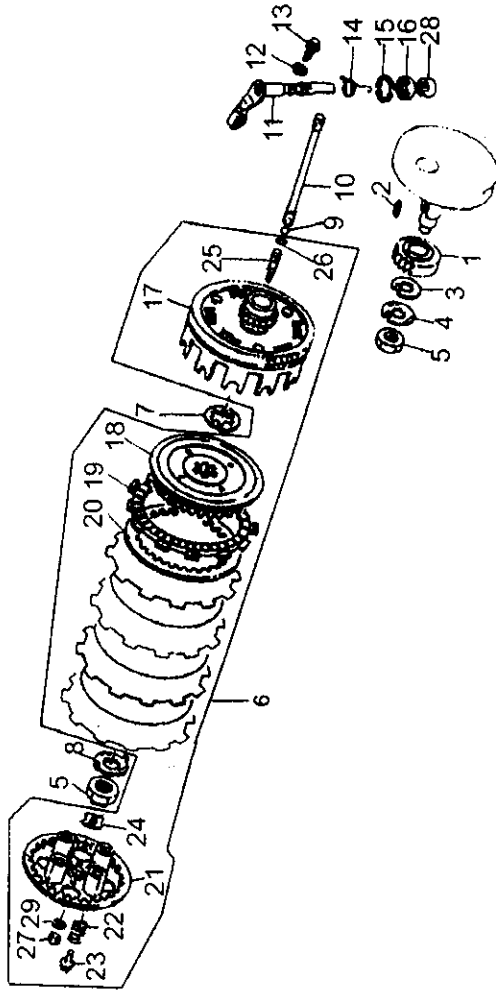
Starting Clutch



NO.	CODE NAME	PART NUMBER	PRICE	DESCRIPTION	QUANTITY	NOTE
1		912.001	28.30	Gears	1	
2		912.002	9.98	Gears Shaft	1	
3		912.003	27.68	Clutch Gears	1	
4		912.004	2.55	Washer 39X25X1	1	
5		912.005	14.96	Clutch Block	1	
6		912.006	1.05	Screw M8X16	3	

FIG 13

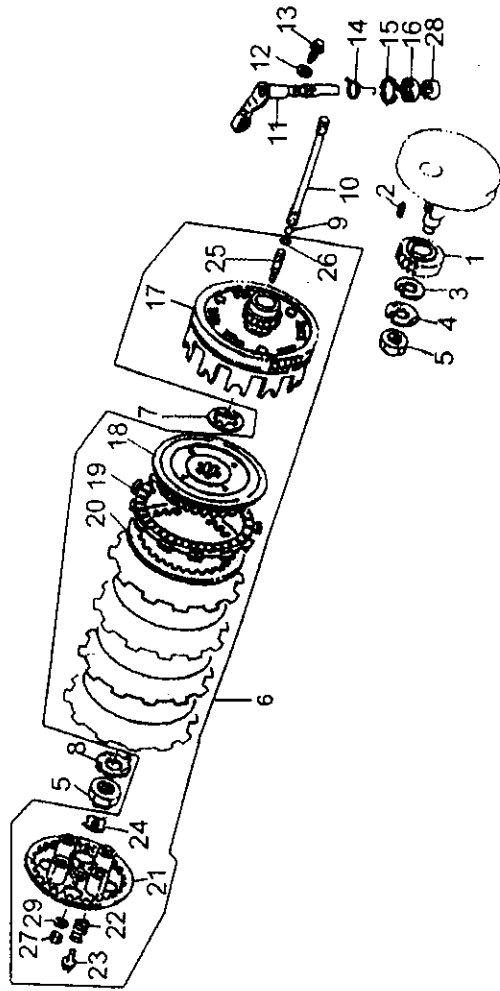
Clutch



NO.	CODE NAME	PART NUMBER	PRICE	DESCRIPTION	QUANTITY	NOTE
1		913.001	11.98	Driving Gear	1	
2		913.002	2.09	Plane Key	1	
3		913.003	2.05	Circlip	1	
4		913.004	1.05	Thrust Washer	1	
5		913.005	4.07	Nut M16X1	2	
6		913.006	186.92	Clutch Assy.	1	
7		913.007	2.60	Washer with Spline	1	
8		913.008	1.85	Washer C	1	
9		913.009	1.92	Steel Ball 8.7	1	
10		913.010	6.74	Push Rod	1	
11		913.011	18.94	Clutch Lever Assy.	1	
12		913.012	1.05	Washer 8	1	
13		913.013	1.15	Screw M8X14	1	
14		913.014	2.30	Spring	1	
15		913.015	2.05	Circlip	1	
16		913.016	2.17	Oil Seal	1	
17		913.017	incl. in 913.006	Driving Cup Comp., Clutch	1	
18		913.018	incl. in 913.006	Driven Cup, Clutch	1	
19		913.019	8.98	Driving Friction Disc, Clutch	5	
20		913.020	9.72	Driven Friction Disc, Clutch	4	
21		913.021	incl. in 913.006	Pressing Disc	1	

FIG 13

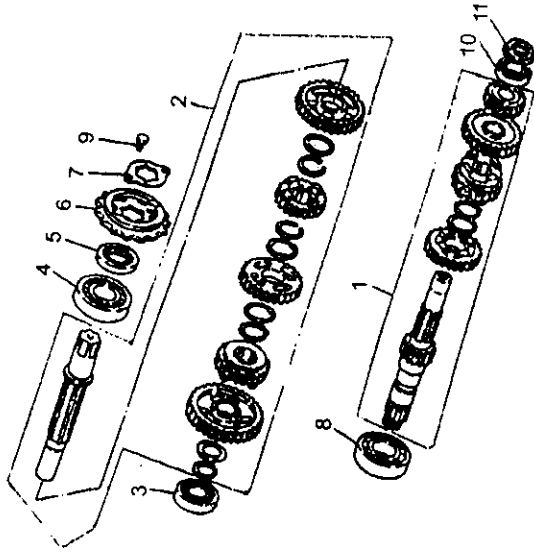
Clutch



NO.	CODE NAME	PART NUMBER	PRICE	DESCRIPTION	QUANTITY	NOTE
22		913.022	incl in 913.006	Clutch Spring	4	
23		913.023	incl in 913.006	Screw	4	
24		913.024	incl in 913.006	Push Pole	1	
25		913.025	incl in 913.006	Adjusting Screw, Clutch	1	
26		913.026	incl in 913.006	O-Ring	1	
27		913.027	incl in 913.006	Nut M6	1	
28		913.028	5.93	Needle Bearing HK1412Z	1	
29		913.029	incl in 913.006	Washer	1	

FIG 14

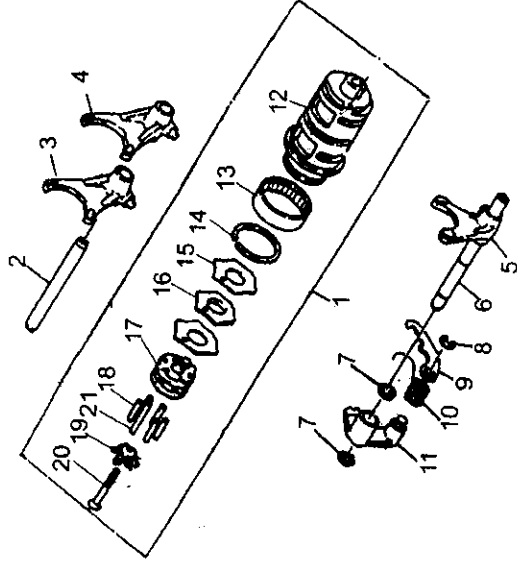
Driving & Driven Shaft



NO.	CODE NAME	PART NUMBER	PRICE	DESCRIPTION	QUANTITY	NOTE
1		914.001	72.85	Main Shaft Assy.	1	
2		914.002	76.38	Counter Shaft Assy.	1	
3		914.003	5.98	Bearing 6004	1	
4		914.004	6.68	Bearing 6305	1	
5		914.005	3.72	Oil-Seal 25X45X6	1	
6		914.006	18.66	Output Sprocket 16T	1	
7		914.007	6.73	Fixing Plate	1	
8		914.008	6.48	Bearing 6205	1	
9		914.009	1.05	Screw M6X10	2	
10		914.010	5.89	Bearing 6003	1	
11		914.011	2.96	Oil Seal 17X28X3.5	1	

FIG 15

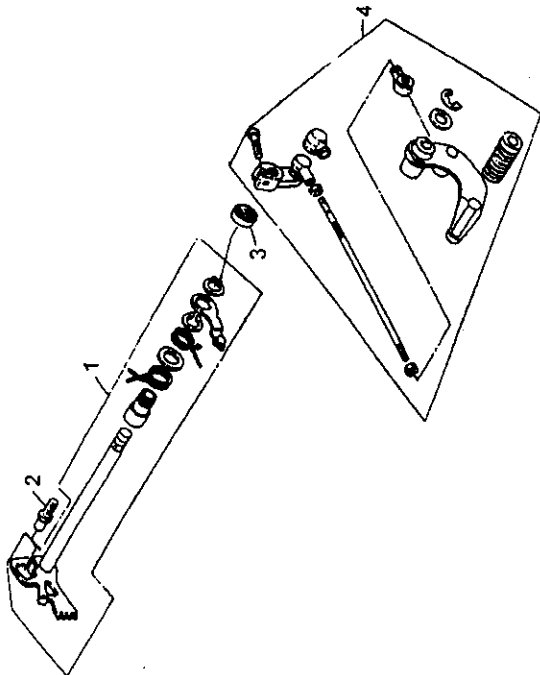
Shift-Cam
Fork



NO.	CODE NAME	PART NUMBER	PRICE	DESCRIPTION	QUANTITY	NOTE
1		915.001	67.50	Transmission Drum Assy.	1	
2		915.002	11.26	Transmission Fork Shaft (No.1)	1	
3		915.003	18.69	Fork (No.3)	1	
4		915.004	18.69	Fork (No.1)	1	
5		915.005	18.69	Fork (No.2)	1	
6		915.006	10.87	Fork Shaft (No.2)	1	
7		915.007	1.95	Circlip	2	
8		915.008	0.90	Circlip	1	
9		915.009	12.63	Counter Gear-Shift Plate	1	
10		915.010	4.65	Spring	1	
11		915.011	13.94	Driven Arm, Gearshift	1	
12		915.012	incl. in 915.001	Gearshift Cam	1	
13		915.013	incl. in 915.001	Needle Bearing HK3512	1	
14		915.014	incl. in 915.001	Spring Washer	1	
15		915.015	incl. in 915.001	Gearshift Plate	1	
16		915.016	incl. in 915.001	Gearshift Wheel	1	
17		915.017	incl. in 915.001	Pin Seat	1	
18		915.018	incl. in 915.001	Pin	4	
19		915.019	incl. in 915.001	Pin Keep Plate	2	
20		915.020	incl. in 915.001	Screw M6X36	1	
21		915.021	incl. in 915.001	Dowel Pin	1	

FIG 16

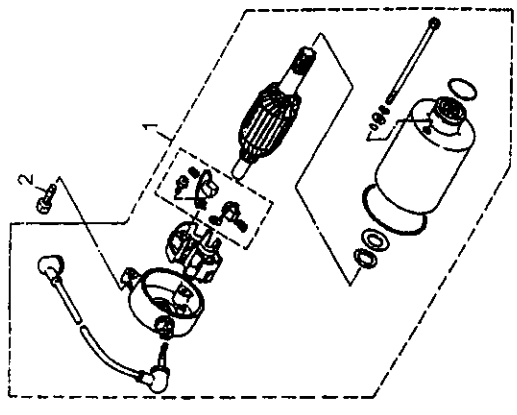
Shift Shaft
Shift Pedal



NO.	CODE NAME	PART NUMBER	PRICE	DESCRIPTION	QUANTITY	NOTE
1		916.001	36.46	Shift Shaft Assy.	1	
2		916.002	2.90	Lock Screw M8X35	1	
3		916.003	3.46	Oil Seal 12X22X5	1	
4		916.004	24.75	Gearshift Pedal Comp.	1	

FIG 17

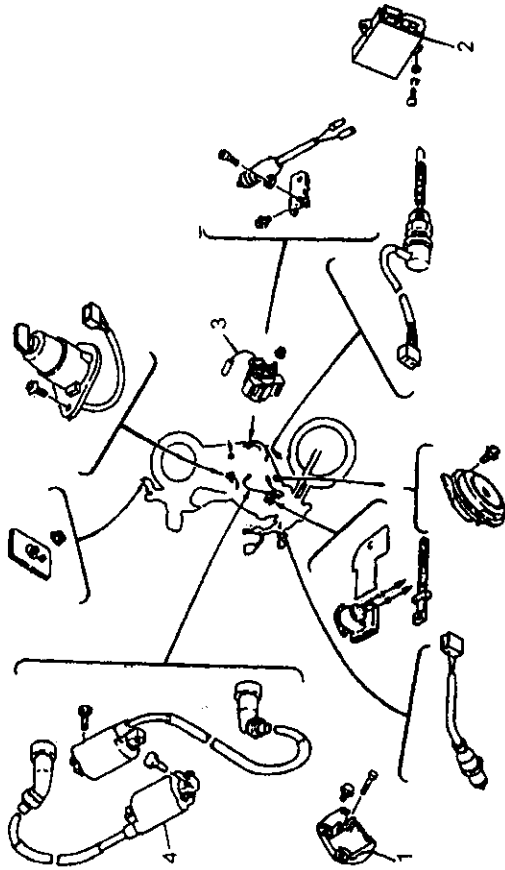
Starting Motor



NO.	CODE NAME	PART NUMBER	PRICE	DESCRIPTION	QUANTITY	NOTE
1		917.001	69.50	Starting Motor	1	
2		917.002	1.05	Screw M6X20	2	

FIG 18

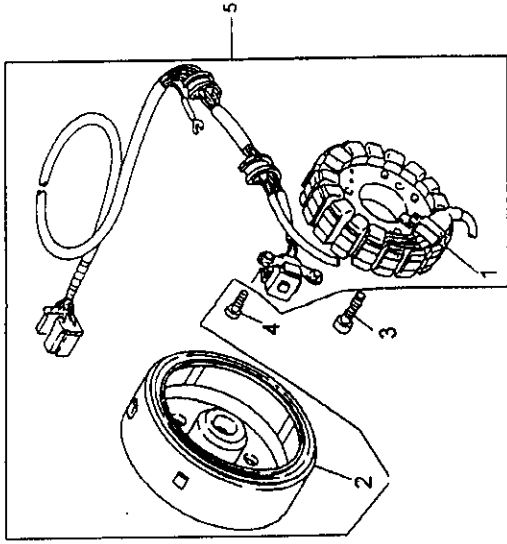
Electric



NO.	CODE NAME	PART NUMBER	PRICE	DESCRIPTION	QUANTITY	NOTE
1		918.001	19.98	Rectifier & Regulator	1	
2		918.002	21.76	CDI	1	
3		918.003	13.65	Start Relay	1	
4		918.004	17.92	Ignition Coil	2	
			9.89	Flasher	1	

FIG 19

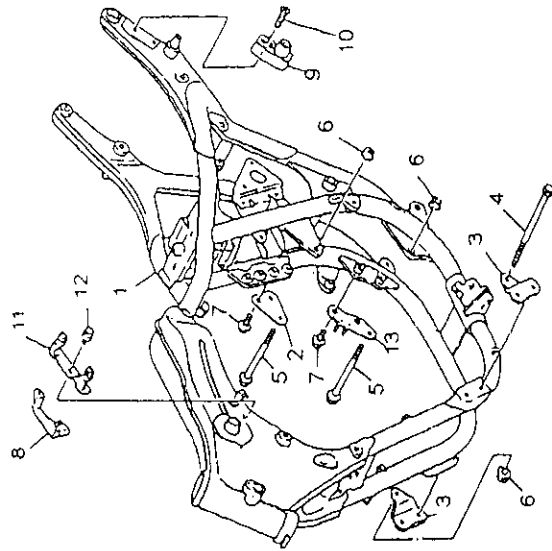
Magneto



NO.	CODE NAME	PART NUMBER	PRICE	DESCRIPTION	QUANTITY	NOTE
1		919.001	N/A	Magneto Stator Comp	1	
2		919.002	N/A	Magneto Rotator Comp	1	
3		919.003	N/A	Screw M6X30	3	
4		919.004	N/A	Screw M5X12	2	
5		919.005	69.99	Magneto Assy.	1	

FIG 20

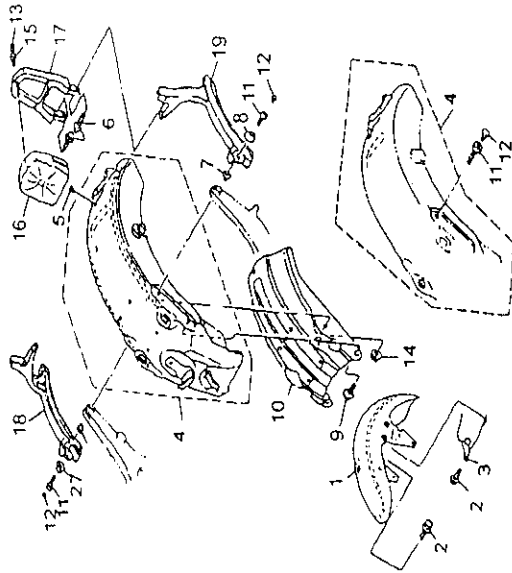
Frame



NO.	CODE NAME	PART NUMBER	PRICE	DESCRIPTION	QUANTITY	NOTE
1		920.001	269.60	Frame Assy.	1	
2		920.002	9.54	Upper Connecting Plate, RH	1	
3		920.003	10.25	Front Connecting Plate	2	
4		920.004	1.60	Bolt M8X150	1	
5		920.005	1.60	Bolt M8X110	2	
6		920.006	0.65	Nut M8	3	
7		920.007	0.85	Bolt M8X150	4	
8		920.008	7.12	Ignition Coil Holder I	1	
9		920.009	incl. in 937.028	Lock, Helmet	1	
10		920.010	0.85	Screw M6X25	1	
11		920.011	7.66	Ignition Coil Holder II	1	
12		920.012	0.85	Bolt M5X20	1	
13		920.013	10.60	Lower Connecting Plate, RH	1	

FIG 21

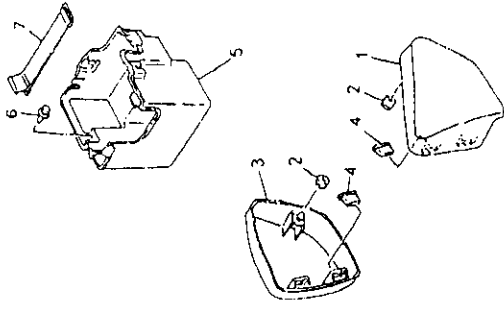
Fender



NO.	CODE NAME	PART NUMBER	PRICE	DESCRIPTION	QUANTITY	NOTE
1		921.001	29.98	Front Fender	1	
2		921.002	0.85	Bolt M8X12	4	
3		921.003	2.99	Hook, Cable	1	
4		921.004	64.26	Rear Fender Comp.	1	
5		921.005	0.85	Bolt M8X12	2	
6		921.006	0.85	Bolt M8X12	2	
7		921.007	1.15	Outer Bush, Back Seat Holder	4	
8		921.008	1.20	Inner Bush, Back Seat Holder	1	
9		921.009	0.85	Bolt M8X12	2	
10		921.010	22.96	Bracket, Rear Fender	1	
11		921.011	1.05	Screw M10X60	2	
12		921.012	0.50	Cap	2	
13		921.013	0.50	Cap	3	
14		921.014	0.65	Nut M10	2	
15		921.015	0.85	Screw M10X60	3	
16		921.016	12.45	Back Seat	1	
17		921.017	26.90	Upper Holder, Back Seat	1	
18		921.018	28.75	Right Holder, Back Seat	1	
19		921.019	28.75	Left Holder, Back Seat	1	

FIG 22

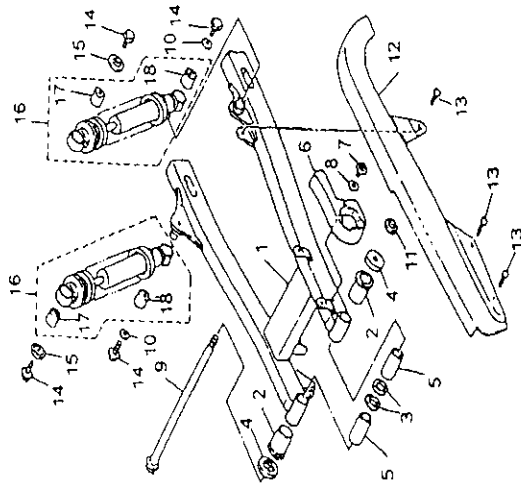
Battery Case
Side Cover



NO.	CODE NAME	PART NUMBER	PRICE	DESCRIPTION	QUANTITY	NOTE
1		922.001	14.35	Side Cover, LH	1	
2		922.002	1.19	Rubber Ring I	2	
3		922.003	14.35	Side Cover, RH	1	
4		922.004	1.19	Rubber Ring II	4	
5		922.005	12.60	Battery Case	1	
6		922.006	0.85	Bolt M6X16	2	
7		922.007	1.20	Battery Band	1	
		922.008	38.50	Battery	1	

FIG 23

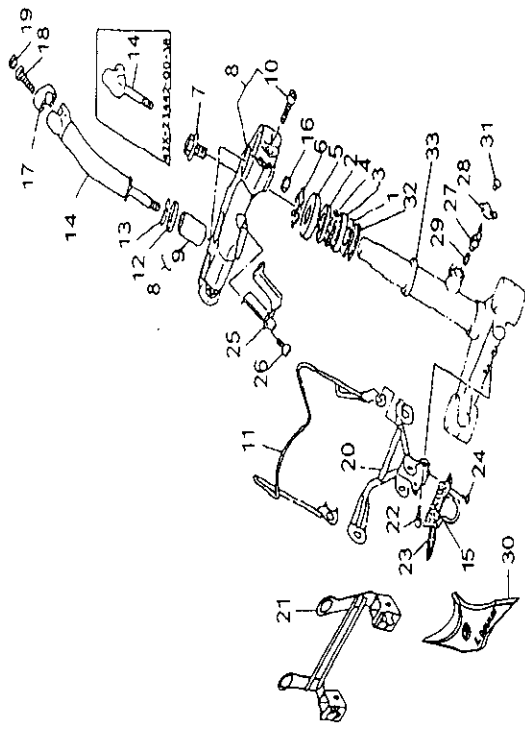
Swing Arm



NO.	CODE NAME	PART NUMBER	PRICE	DESCRIPTION	QUANTITY	NOTE
1		923.001	39.84	Swing Arm	1	
2		923.002	5.07	Outer Bush, Swing Arm	2	
3		923.003	1.99	Oil Seal	2	
4		923.004	2.36	Dustproof Cover	2	
5		923.005	4.66	Inner Bush, Swing Arm	2	
6		923.006	8.78	Guider, Chain	1	
7		923.007	0.85	Bolt M5X12	1	
8		923.008	0.50	Washer 5	1	
9		923.009	5.99	Shaft, Swing Arm	1	
10		923.010	0.50	Washer 8	2	
11		923.011	0.98	Nut M12X1.25	1	
12		923.012	15.80	Chain Case	1	
13		923.013	0.85	Bolt M6X12	3	
14		923.014	0.85	Bolt M8X35	2	
15		923.015	0.50	Washer 8	2	
16		923.016	42.25	Rear Shock	2	
17		923.017	incl. in 923.016	Upper Bushing	2	
18		923.018	incl. in 923.016	Lower Bushing	2	

FIG 24

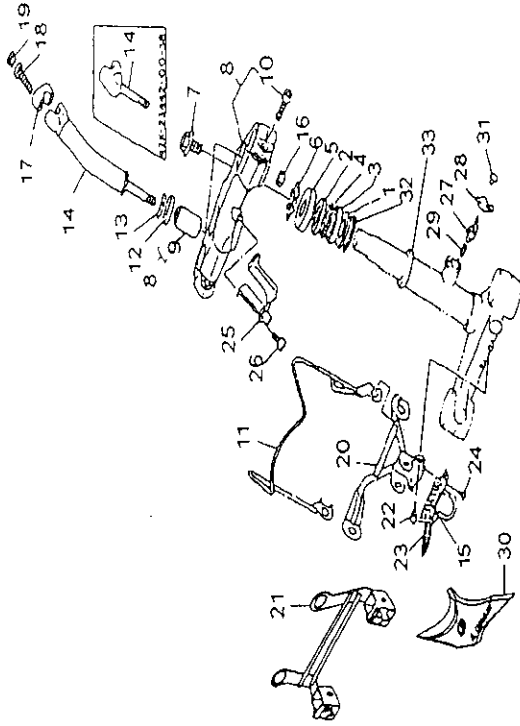
Steering Stem



NO.	CODE NAME	PART NUMBER	PRICE	DESCRIPTION	QUANTITY	NOTE
1		924.001	5.75	Upper Socket, Bottom Bearing	1	
2		924.002	6.10	Upper Socket, Upper Bearing	1	
3		924.003	6.02	Lower Socket, Upper Bearing	1	
4		924.004	0.10	Ball	19	
5		924.005	2.26	Dustproof Ring	1	
6		924.006	2.98	Adjusting Nut	1	
7		924.007	2.37	Lock Bolt, Steering Post	1	
8		924.008	3.55	Inner Bush	2	
9		924.009	3.65	Outer Bush	2	
10		924.010	0.85	Bolt M8X35	2	
11		924.011	3.66	Guard Frame, Headlight	1	
12		924.012	1.20	Rubber Ring	2	
13		924.013	0.65	Washer	2	
14		924.014	16.92	Handlebar Clamp, Bottom	2	
15		924.015	2.05	Wire Clamp	1	
16		924.016	0.80	Nut M10	2	
17		924.017	4.20	Handlebar Clamp, Upper	2	
18		924.018	0.85	Bolt M6X16	4	
19		924.019	0.50	Cap	4	
20		924.020	10.05	Holder, Headlight	1	
21		924.021	9.96	Bracket	1	

FIG 24

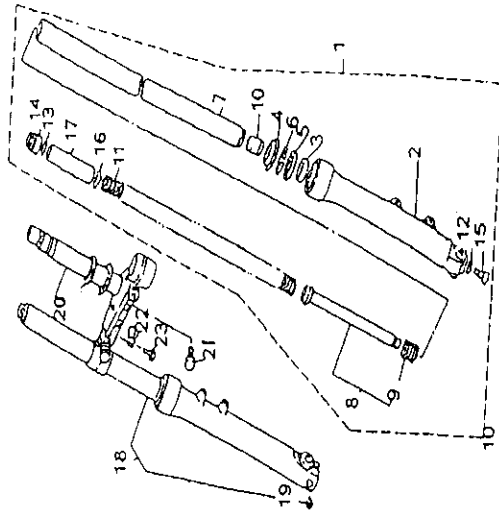
Steering Stem



NO.	CODE NAME	PART NUMBER	PRICE	DESCRIPTION	QUANTITY	NOTE
22		924.022	0.85	Bolt M6X12	2	
23		924.023	0.99	Hook	1	
24		924.024	0.85	Bolt M6X12	1	
25		924.025	4.26	Holder, Meter	1	
26		924.026	0.85	Bolt M6X16	1	
27		924.027	incl. in 937.028	Lock, Steering Post	1	
28		924.028	incl. in 937.028	Cap, Steering Post Lock	1	
29		924.029	incl. in 937.028	Spring	1	
30		924.030	N/A	Label	1	
31		924.031	incl. in 937.028	Rivet	1	
32		924.032	0.10	Ball	19	
33		924.033	6.22	Lower Socket, Bottom Bearing	1	

FIG 25

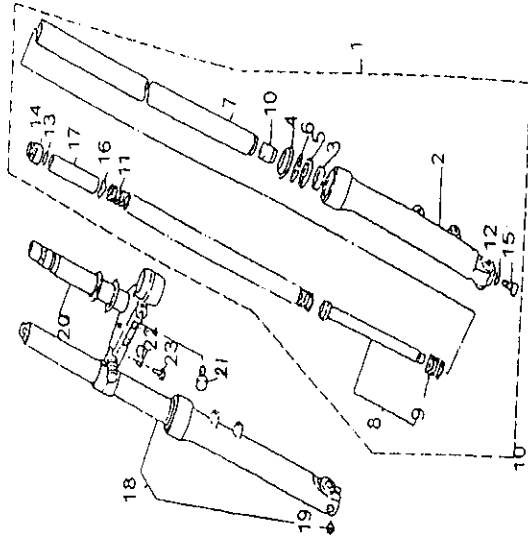
Front Shock



NO.	CODE NAME	PART NUMBER	PRICE	DESCRIPTION	QUANTITY	NOTE
1		925.001	59.90	Front Shock, LH	1	
2		925.002	incl. in 925.001	Cylinder, LH	1	
3		925.003	incl. in 925.001	Bearing	2	
4		925.004	incl. in 925.001	Dustproof Ring	2	
5		925.005	incl. in 925.001	Oil Seal	2	
6		925.006	incl. in 925.001	Clip	2	
7		925.007	incl. in 925.001	Front Fork Pipe	2	
8		925.008	incl. in 925.001	Piston Pipe	2	
9		925.009	incl. in 925.001	Spring	2	
10		925.010	incl. in 925.001	Sealing Plug	2	
11		925.011	incl. in 925.001	Spring	2	
12		925.012	incl. in 925.001	Washer 6	2	
13		925.013	incl. in 925.001	O-Ring	2	
14		925.014	incl. in 925.001	Bolt, End Cover	2	
15		925.015	incl. in 925.001	Bolt M6X25	2	
16		925.016	incl. in 925.001	Circlip	2	
17		925.017	incl. in 925.001	Piston	2	
18		925.018	59.90	Front Shock, RH	1	
19		925.019	0.85	Bolt M6X8	2	
20		925.020	30.60	Steering Stem Assy.	1	
21		925.021	0.90	Bolt M10X30	2	

FIG 25

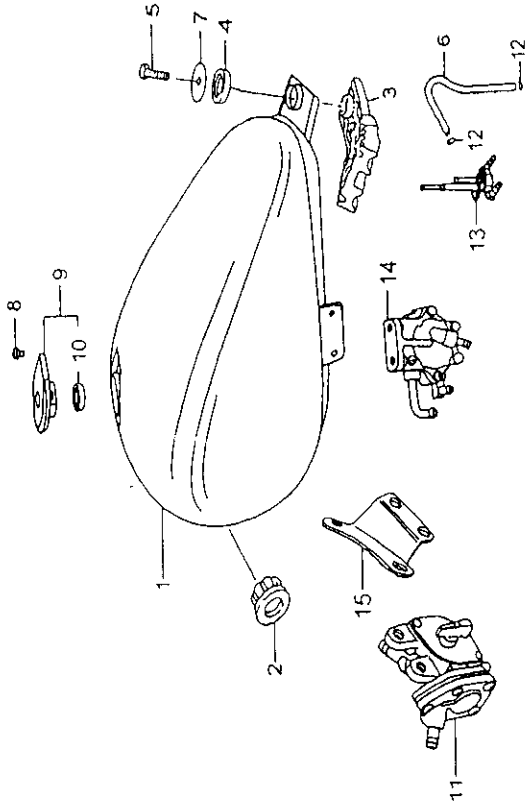
Front Shock



NO.	CODE NAME	PART NUMBER	PRICE	DESCRIPTION	QUANTITY	NOTE
22		925.022	1.99	Cable Clamp	1	
23		925.023	0.85	Bolt M6X12	1	

FIG 26

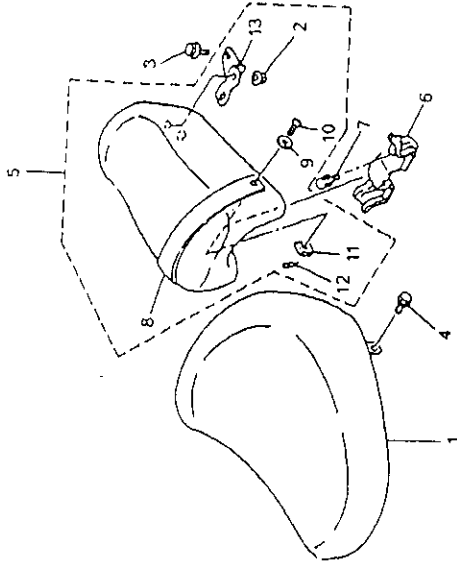
Fuel Tank



NO.	CODE NAME	PART NUMBER	PRICE	DESCRIPTION	QUANTITY	NOTE
1		926.001	88.90	Fuel Tank Assy.	1	
2		926.002	2.16	Damping Rubber, Front	2	
3		926.003	4.75	Damping Rubber, Rear	1	
4		926.004	0.99	Fixing Rubber	1	
5		926.005	0.90	Bolt M8X30	1	
6		926.006	0.95	Fuel Hose	1	
7		926.007	0.55	Washer 8	1	
8		926.008	0.85	Screw M5X10	1	
9		926.009	incl. in 937.028	Cap, Fuel Tank	1	
10		926.010	incl. in 937.028	Gasket, Cap	1	
11		926.011	20.60	Fuel Cock	1	
12		926.012	0.50	Clip	2	
13		926.013	9.66	Fuel Filter	1	
14		926.014	19.99	Vacuum Valve	1	
15		926.015	4.98	Bracket	1	

FIG 27

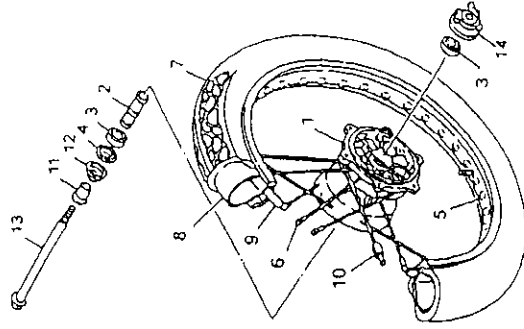
Seat



NO.	CODE NAME	PART NUMBER	PRICE	DESCRIPTION	QUANTITY	NOTE
1		927.001	28.86	Front Seat Cushion	1	
2		927.002	incl. in 927.005	Nut M6	2	
3		927.003	0.85	Bolt M6X20	1	
4		927.004	0.85	Bolt M6X16	2	
5		927.005	19.60	Rear Seat	1	
6		927.006	9.45	Holder, Seat	1	
7		927.007	0.85	Bolt M8X30	2	
8		927.008	incl. in 927.005	Band	1	
9		927.009	incl. in 927.005	Washer 6	2	
10		927.010	incl. in 927.005	Screw M6X12	2	
11		927.011	incl. in 927.005	Square Nut M6	2	
12		927.012	incl. in 927.005	Split Pin	2	
13		927.013	incl. in 927.005	Rear Seat Bracket	1	

FIG 28

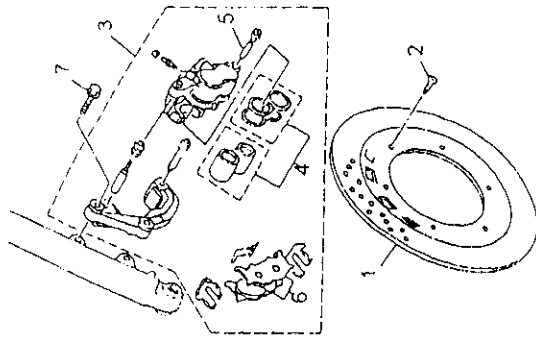
Front Wheel



NO.	CODE NAME	PART NUMBER	PRICE	DESCRIPTION	QUANTITY	NOTE
1		928.001	19.58	Wheel Hub	1	
2		928.002	5.77	Inner Spacer	1	
3		928.003	4.08	Bearing	2	
4		928.004	2.62	Oil Seal 20357	1	
5		928.005	48.62	Front Rim	1	
6		928.006	1.85	Inner Spoke	36	
7		928.007	22.40	Tire, Front	1	
8		928.008	9.62	Tube, Front Tire	1	
9		928.009	6.74	Band, Front Tire	1	
10		928.010	0.50	Nut, Spoke	36	
11		928.011	3.09	Right Bushing, Front Wheel	1	
12		928.012	1.00	Dustproof Ring	1	
13		928.013	6.65	Front Axle	1	
14		928.014	11.36	Speedometer Sensor	1	

FIG 29

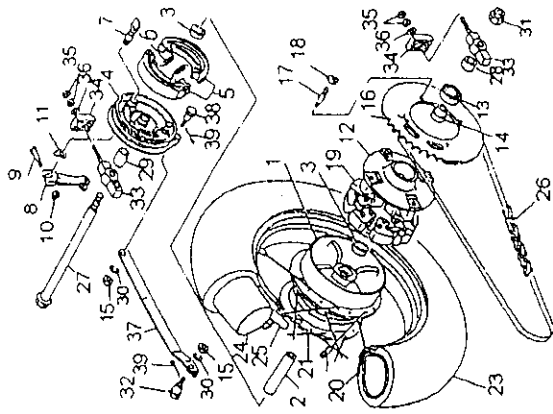
Front Brake



NO.	CODE NAME	PART NUMBER	PRICE	DESCRIPTION	QUANTITY	NOTE
1		929.001	19.99	Front Brake Disc	1	
2		929.002	1.15	Bolt, Disc	6	
3		929.003	incl. in 932.000	Brake Caliper Assy.	1	
4		929.004	incl. in 932.000	Piston	1	
5		929.005	incl. in 932.000	Stud	1	
6		929.006	10.99	Brake Shoe Set	1	
7		929.007	0.90	Bolt M10X30	2	

FIG 30

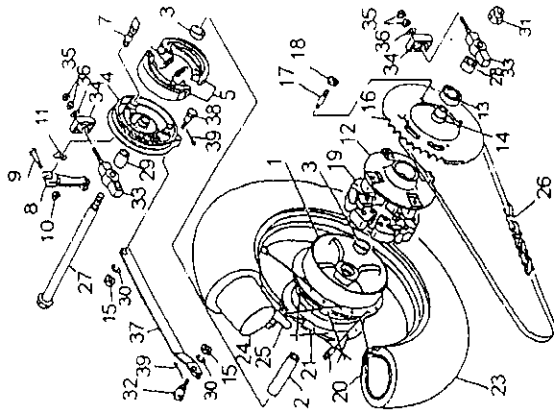
Rear Wheel



NO.	CODE NAME	PART NUMBER	PRICE	DESCRIPTION	QUANTITY	NOTE
1		930.001	29.78	Rear Wheel Hub	1	
2		930.002	5.82	Inner Spacer	1	
3		930.003	4.54	Bearing	2	
4		930.004	19.87	Rear Brake Cover	1	
5		930.005	6.28	Brake Shoe	2	
6		930.006	1.20	Spring, Brake Shoe	2	
7		930.007	4.19	Brake Cam	1	
8		930.008	4.22	Brake Arm	1	
9		930.009	0.85	Bolt M6X35	1	
10		930.010	0.65	Nut M6	1	
11		930.011	1.18	Indicator, Brake Wear	1	
12		930.012	12.79	Sprocket Hub	1	
13		930.013	4.38	Bearing	2	
14		930.014	1.52	Bushing	1	
15		930.015	0.65	Nut M8	2	
16		930.016	17.40	Sprocket	1	
17		930.017	1.85	Stud Bolt	4	
18		930.018	0.65	Nut M10	4	
19		930.019	11.66	Damping Block	1	
20		930.020	48.66	Rear Rim	1	
21		930.021	1.85	Inner Spoke	36	

FIG 30

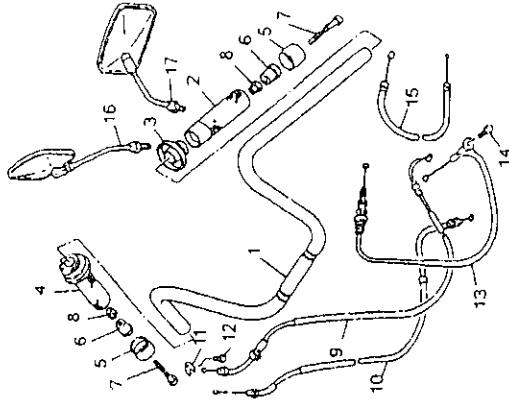
Rear Wheel



NO.	CODE NAME	PART NUMBER	PRICE	DESCRIPTION	QUANTITY	NOTE
22		930.022	0.50	Nut, Spoke	36	
23		930.023	33.79	Tire, Rear	1	
24		930.024	12.90	Tube, Rear Tire	1	
25		930.025	9.88	Band, Rear Tire	1	
26		930.026	26.99	Chain	1	
27		930.027	6.87	Rear Axle	1	
28		930.028	2.62	Left Spacer, Rear Wheel	1	
29		930.029	2.71	Right Spacer, Rear Wheel	1	
30		930.030	0.50	Spring Washer 8	2	
31		930.031	1.50	Nut M14	1	
32		930.032	1.15	Bolt	1	
33		930.033	9.85	Chain Adjuster	2	
34		930.034	4.76	Retainer	2	
35		930.035	0.65	Nut M8	4	
36		930.036	0.50	Washer 8	2	
37		930.037	12.75	Pull Rod	1	
38		930.038	1.15	Bolt	1	
39		930.039	0.50	Pin 2X20	1	

FIG 31

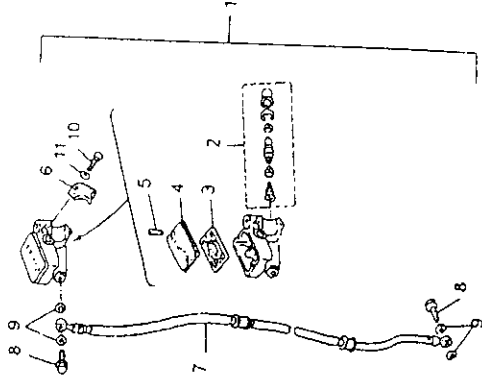
Handle Bar



NO.	CODE NAME	PART NUMBER	PRICE	DESCRIPTION	QUANTITY	NOTE
1		931.001	23.66	Handle Bar	1	
2		931.002	6.73	Left Grip	1	
3		931.003	4.26	Fixing Collar	1	
4		931.004	11.29	Right Grip	1	
5		931.005	6.68	Balance Block	2	
6		931.006	4.72	Rubber Plug	2	
7		931.007	1.85	Screw M6X55	2	
8		931.008	0.65	Nut M6	2	
9		931.009	12.45	Throttle Cable I	1	
10		931.010	12.45	Throttle Cable II	1	
11		931.011	2.71	Holder, Throttle Cable I	1	
12		931.012	0.85	Screw M5X12	1	
13		931.013	14.82	Clutch Cable	1	
14		931.014	0.85	Bolt M6X12	1	
15		931.015	10.20	Coke Cable	1	
16		931.016	13.50	Right Mirror	1	
17		931.017	13.50	Left Mirror	1	

FIG 32

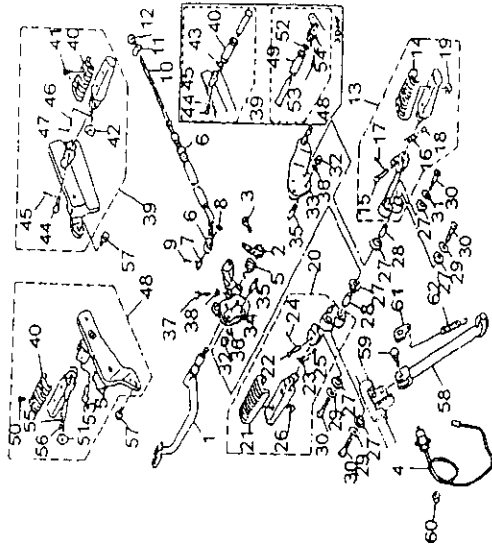
Front Brake Main
Cylinder



NO.	CODE NAME	PART NUMBER	PRICE	DESCRIPTION	QUANTITY	NOTE
0		932.000	129.68	Front Brake System	1	
1		932.001	N/A	Main Cylinder	1	
2		932.002	N/A	Plunger Set	1	
3		932.003	N/A	Gasket	1	
4		932.004	N/A	Cover	1	
5		932.005	N/A	Screw M5X12	2	
6		932.006	N/A	Clip	1	
7		932.007	N/A	Oil Pipe	1	
8		932.008	N/A	Bolt M10X22	1	
9		932.009	N/A	Seal	4	
10		932.010	N/A	Screw M4X12	1	
11		932.011	N/A	Washer 4	1	

FIG 33

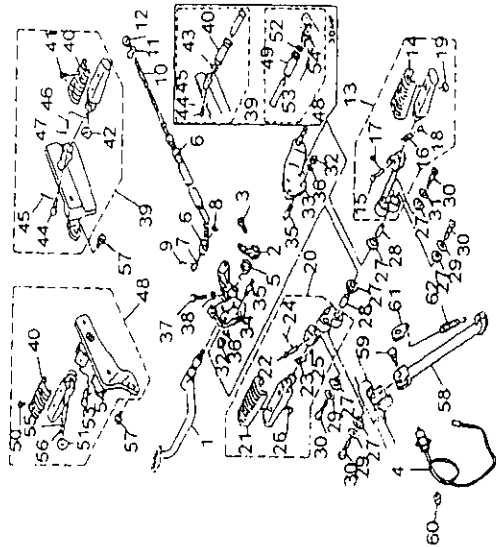
Footrest



NO.	CODE NAME	PART NUMBER	PRICE	DESCRIPTION	QUANTITY	NOTE
1		933.001	12.99	Rear Brake Pedal	1	
2		933.002	8.62	Rear Brake Arm	1	
3		933.003	0.85	Bolt M6X20	1	
4		933.004	4.57	Switch, Side Stand	1	
5		933.005	2.38	Return Spring	1	
6		933.006	13.76	Rear Brake Cable	1	
7		933.007	incl. in 933.006	Pin B6X16	1	
8		933.008	incl. in 933.006	Washer 6	1	
9		933.009	incl. in 933.006	Pin 2X20	1	
10		933.010	incl. in 933.006	Spring	1	
11		933.011	incl. in 933.006	Pin	1	
12		933.012	incl. in 933.006	Adjusting Nut	1	
13		933.013	27.96	Front Footrest, LH	1	
14		933.014	incl. in 933.013	Rubber Boot, Front Footrest	1	
15		933.015	incl. in 933.013	Pin 3X40	1	
16		933.016	incl. in 933.013	Return Spring	1	
17		933.017	incl. in 933.013	Pin 2X17	1	
18		933.018	incl. in 933.013	Spacer 12X2	1	
19		933.019	incl. in 933.013	Nut M6	1	
20		933.020	27.96	Front Footrest, RH	1	
21		933.021	incl. in 933.020	Rubber Boot, Front Footrest	1	

FIG 33

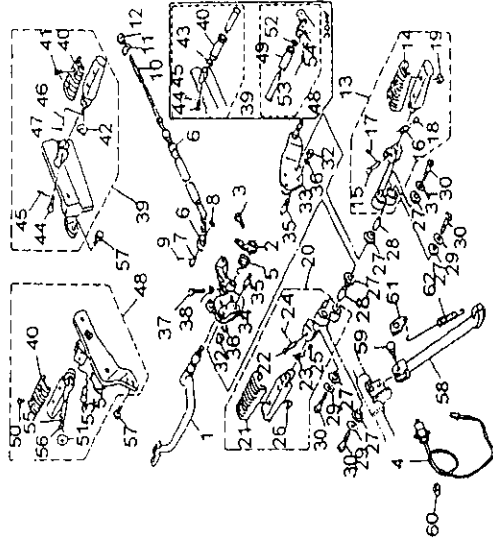
Footrest



NO.	CODE NAME	PART NUMBER	PRICE	DESCRIPTION	QUANTITY	NOTE
22		933.022	incl. in 933.020	Pin 3X40	1	
23		933.023	incl. in 933.020	Return Spring	1	
24		933.024	incl. in 933.020	Pin 2X17	1	
25		933.025	incl. in 933.020	Spacer 12X2	1	
26		933.026	incl. in 933.020	Nut M6	1	
27		933.027	2.99	Rubber Collar	8	
28		933.028	2.56	Bush	4	
29		933.029	0.50	Washer 10	2	
30		933.030	1.05	Bolt M10X40	4	
31		933.031	0.50	Washer 10	2	
32		933.032	1.90	Nut M10	4	
33		933.033	17.49	Holder, Front Footrest LH	1	
34		933.034	18.69	Holder, Front Footrest RH	1	
35		933.035	2.55	Stud Bolt	4	
36		933.036	0.50	Washer 10	8	
37		933.037	0.85	Bolt M6X25	1	
38		933.038	0.65	Nut M6	1	
39		933.039	32.66	Back Footrest, LH	1	
40		933.040	incl. in 933.039	Rubber Boot, Back Footrest	2	
41		933.041	incl. in 933.039	Screw M6X15	1	
42		933.042	incl. in 933.039	washer 8	1	

FIG 33

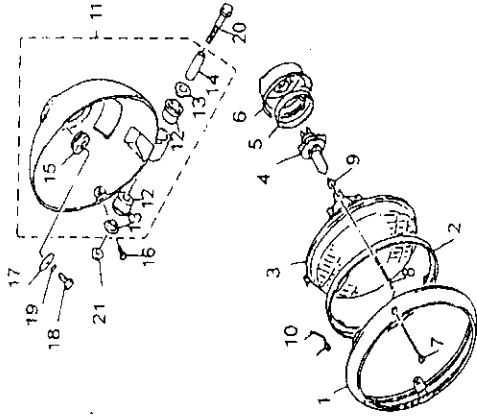
Footrest



NO.	CODE NAME	PART NUMBER	PRICE	DESCRIPTION	QUANTITY	NOTE
43		933.043	incl. in 933.039	Washer 8	1	
44		933.044	incl. in 933.039	Pin 3X40	1	
45		933.045	incl. in 933.039	Pin 2X17	1	
46		933.046	incl. in 933.039	Spring	1	
47		933.047	incl. in 933.039	Spacer 12X2	1	
48		933.048	30.92	Back Footrest, RH	1	
49		933.049	incl. in 933.048	Rubber boot, Back Footrest	1	
50		933.050	incl. in 933.048	Screw M6X15	1	
51		933.051	incl. in 933.048	Washer 8	1	
52		933.052	incl. in 933.048	Washer 8	1	
53		933.053	incl. in 933.048	Pin 3X40	1	
54		933.054	incl. in 933.048	Pin 2X17	1	
55		933.055	incl. in 933.048	Spring	1	
56		933.056	incl. in 933.048	Spacer 12X2	1	
57		933.057	0.85	Bolt M8X16	2	
58		933.058	19.89	Side Stand	1	
59		933.059	2.07	Bolt	1	
60		933.060	0.70	Nut M10	1	
61		933.061	2.93	Hook	2	
62		933.062	2.88	Spring	1	

FIG 34

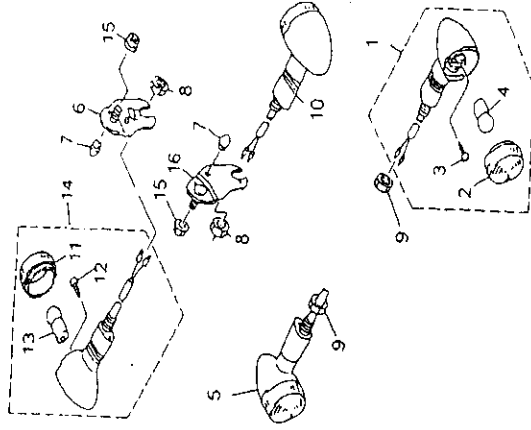
Headlight



NO.	CODE NAME	PART NUMBER	PRICE	DESCRIPTION	QUANTITY	NOTE
0		934.000	31.22	Headlight Assy.	1	
1		934.001	N/A	Headlight Rim	1	
2		934.002	N/A	Gasket	1	
3		934.003	N/A	Lens	1	
4		934.004	4.28	Bulb, Headlight	1	
5		934.005	N/A	Ring	1	
6		934.006	N/A	Socket	1	
7		934.007	N/A	Screw M4X10	2	
8		934.008	N/A	Spring	2	
9		934.009	N/A	Nut	1	
10		934.010	N/A	Circlip	1	
11		934.011	N/A	Back Cover	1	
12		934.012	N/A	Rubber Ring I	2	
13		934.013	N/A	Rubber Ring II	2	
14		934.014	N/A	Bush	1	
15		934.015	N/A	Rubber Ring III	1	
16		934.016	N/A	Screw M5X12	1	
17		934.017	N/A	Washer 6	1	
18		934.018	N/A	Bolt M6X25	1	
19		934.019	N/A	Washer 6	1	
20		934.020	0.99	Bolt M8X35	1	

FIG 35

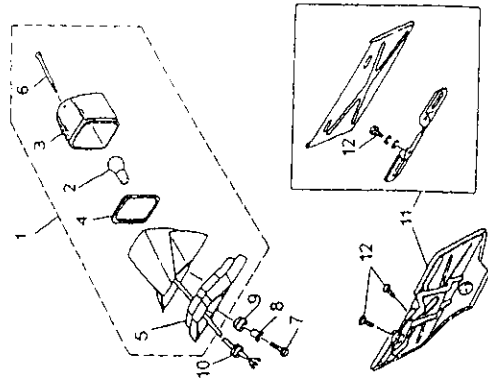
Turn Signal Lamp



NO.	CODE NAME	PART NUMBER	PRICE	DESCRIPTION	QUANTITY	NOTE
1		935.001	8.99	Front Turn Signal Lamp, LH	1	
2		935.002	N/A	Lens	1	
3		935.003	N/A	Screw M3X20	1	
4		935.004	1.80	Bulb, 12V 3W	1	
5		935.005	8.99	Front Turn Signal Lamp, RH	1	
6		935.006	6.76	Holder	1	
7		935.007	1.27	Wire Clamp	2	
8		935.008	0.65	Nut M10	2	
9		935.009	0.65	Nut M10	2	
10		935.010	8.98	Rear Turn Signal Lamp, LH	1	
11		935.011	N/A	Lens	1	
12		935.012	N/A	Screw M3X20	1	
13		935.013	1.80	Bulb, 12V 3W	1	
14		935.014	8.98	Rear Turn Signal Lamp, RH	1	
15		935.015	0.65	Nut M8	2	
16		935.016	6.76	Bracket, Rear Turn Signal Lamp, LH	1	

FIG 36

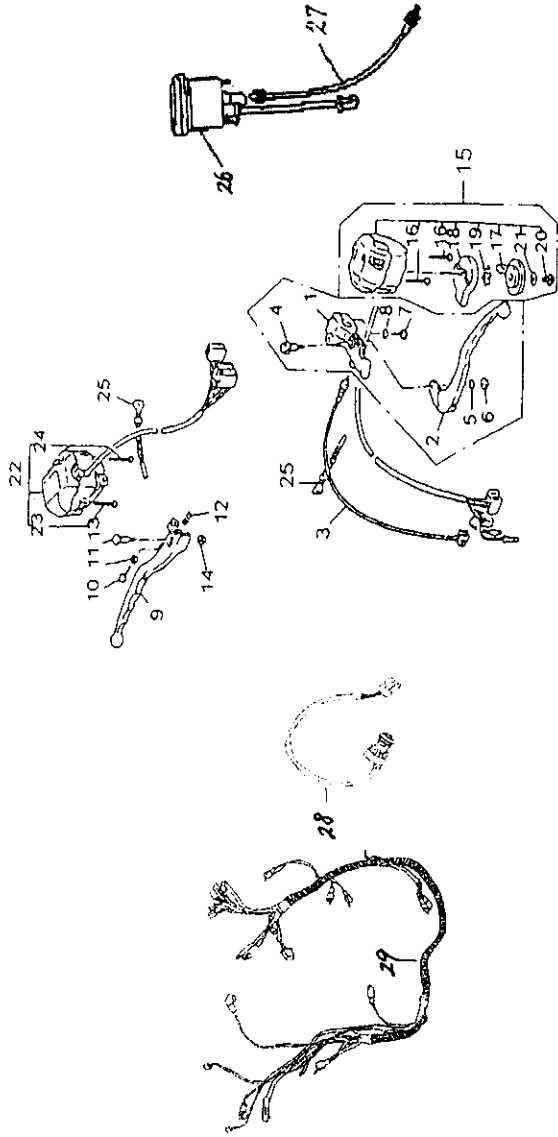
Tail Lamp



NO.	CODE NAME	PART NUMBER	PRICE	DESCRIPTION	QUANTITY	NOTE
1		936.001	20.85	Tail Lamp Assy.	1	
2		936.002	2.66	Bulb, 12V 21W	1	
3		936.003	N/A	Lens	1	
4		936.004	N/A	Gasket	1	
5		936.005	N/A	Gasket, Tail Lamp	1	
6		936.006	N/A	Screw M5X50	3	
7		936.007	0.85	Screw M6X15	3	
8		936.008	1.05	Bush	3	
9		936.009	1.10	Rubber Ring	3	
10		936.010	1.15	Hood	1	
11		936.011	11.96	Bracket, License Plate	1	
12		936.012	0.85	Screw M6X20	2	

FIG 37

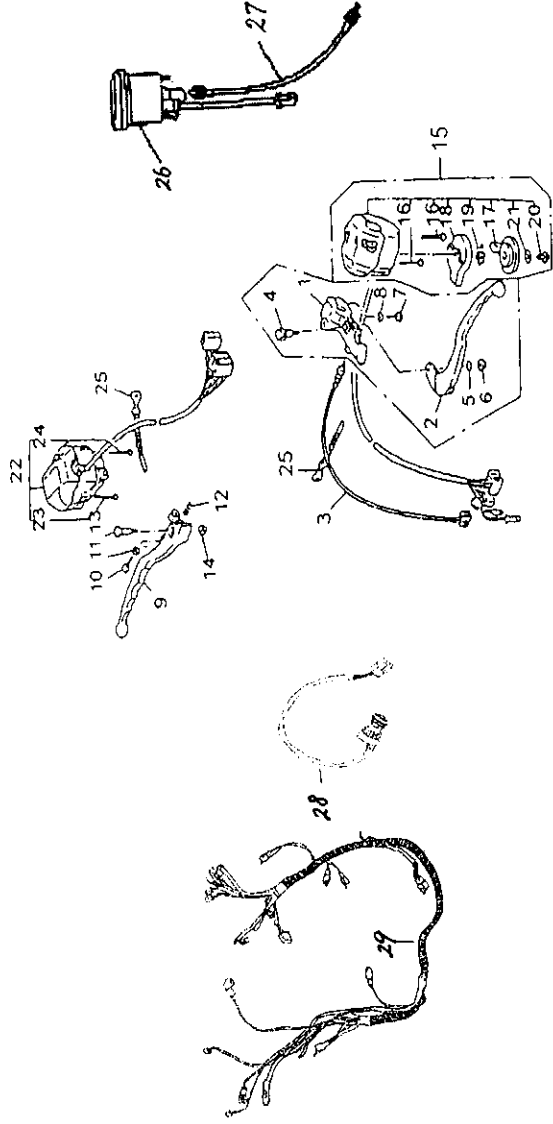
Handlebar Switch
Electric



NO.	CODE NAME	PART NUMBER	PRICE	DESCRIPTION	QUANTITY	NOTE
1		937.001	10.92	Clutch Lever Seat	1	
2		937.002	13.73	Clutch Lever	1	
3		937.003	14.91	Clutch Cable	1	
4		937.004	0.99	Bolt	1	
5		937.005	0.50	Washer 6	1	
6		937.006	0.65	Nut M6	1	
7		937.007	0.85	Bolt M8X25	1	
8		937.008	0.50	Spring Washer 6	1	
9		937.009	13.75	Front Brake Lever	1	
10		937.010	0.85	Bolt M6X20	1	
11		937.011	0.50	Washer 6	1	
12		937.012	0.99	Spring	1	
13		937.013	0.99	Bolt	1	
14		937.014	0.65	Nut M6	1	
15		937.015	26.80	Handlebar Switch, LH	1	
16		937.016	incl. in 937.15	Bolt M6X25	2	
17		937.017	incl. in 937.15	Chock Lever	1	
18		937.018	incl. in 937.15	Chock Fixing Seat	1	
19		937.019	incl. in 937.15	Adjusting Washer	1	
20		937.020	incl. in 937.15	Bolt M6X10	1	
21		937.021	incl. in 937.15	Washer 6	1	

FIG 37

Handlebar Switch
Electric



NO.	CODE NAME	PART NUMBER	PRICE	DESCRIPTION	QUANTITY	NOTE
22		937.022	24.92	Handlebar Switch, RH	1	
23		937.023	incl. in 937.022	Bolt M6X25	1	
24		937.024	incl. in 937.022	Bolt M6X30	1	
25		937.025	0.80	Band	4	
26		937.026	36.74	Speedometer Assy.	1	
27		937.027	15.92	Cable, Speedometer	1	
28		937.028	27.99	Ignition Switch Assy.	1	
29		937.029	21.36	Main Wire	1	